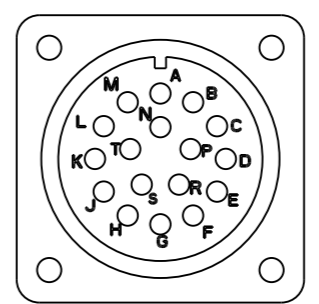
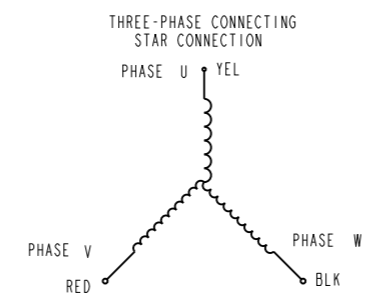
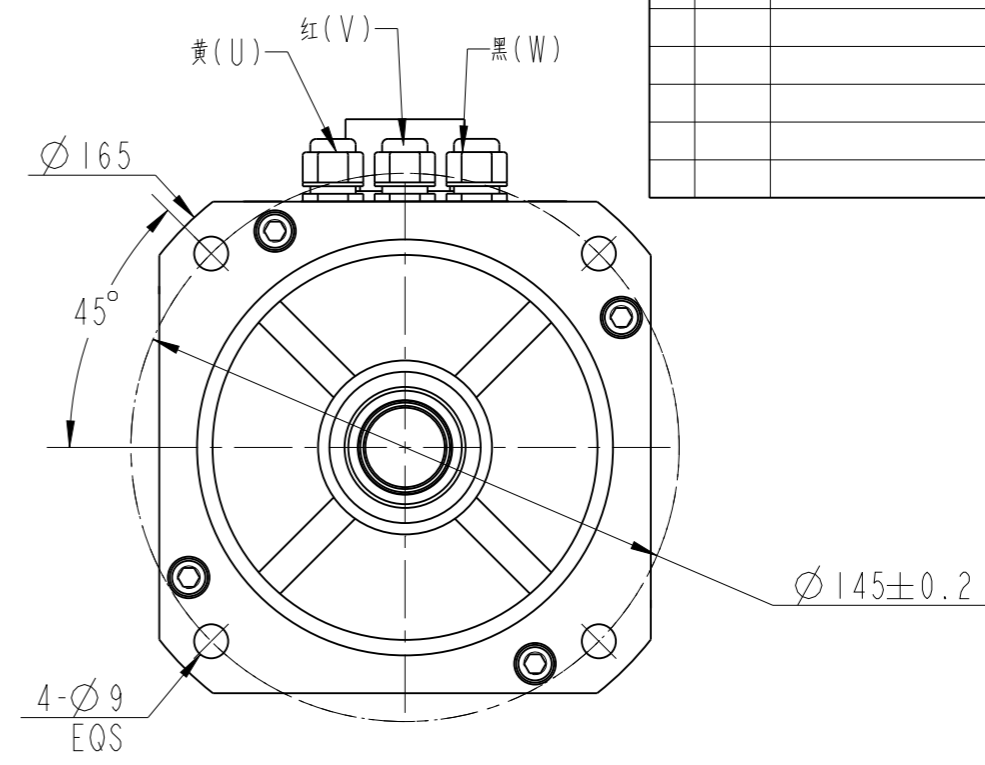
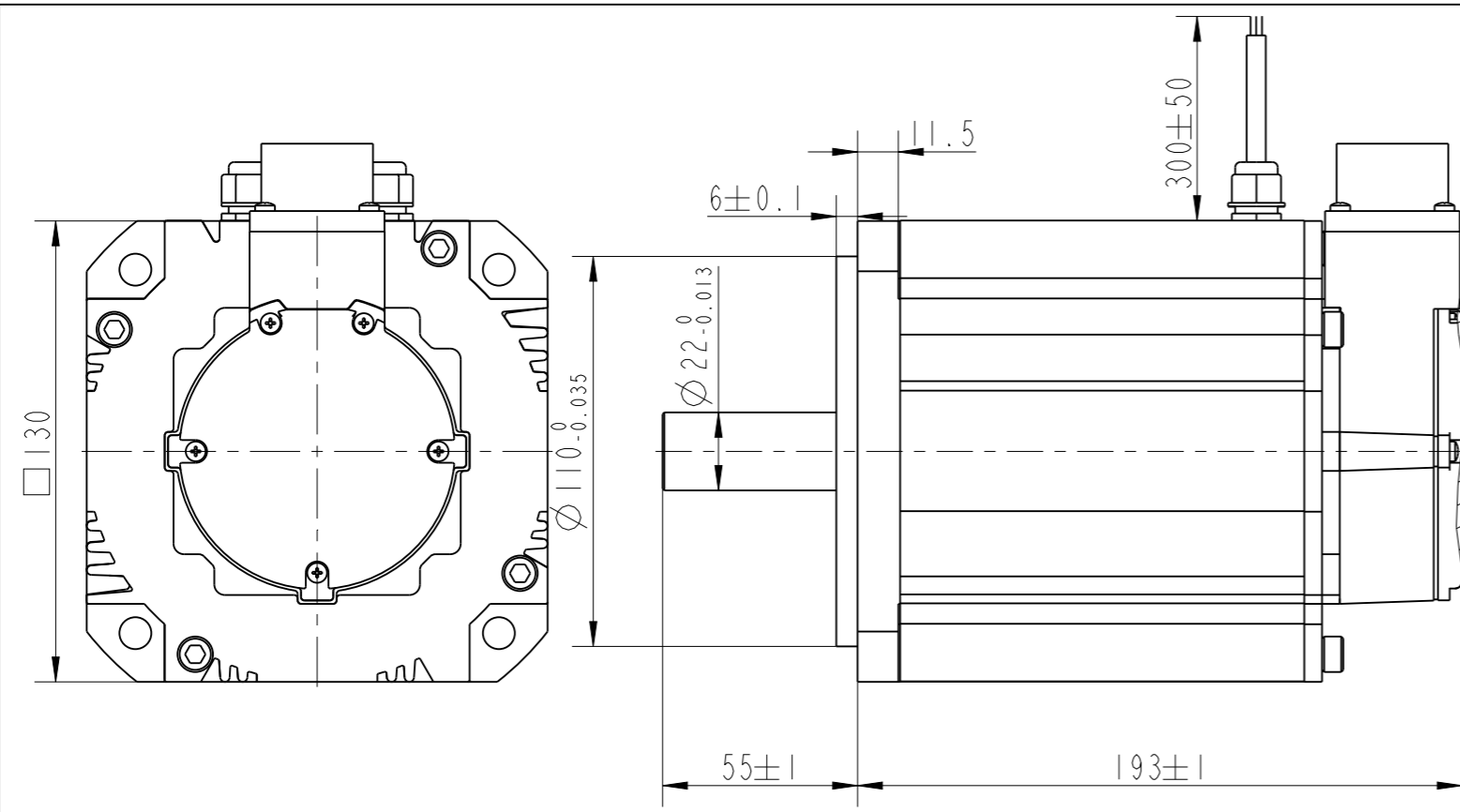


REV	ECN NO	DESCRIPTION	DRN	APP'D	DATE



航插端定义	信号定义
A	VCC
B	GND
C	A+
D	A-
E	B+
F	B-
G	Z+
H	Z-
J	U+
K	U-
L	V+
M	V-
N	W+
P	W-
R	PE

NUMBER OF PHASE	绕组相数	3	Wires for Phases AWG8		
NUMBER OF POLES	极数	10	PHASE U	PHASE V	PHASE W
LINE TO LINE RESISTANCE	线电阻	0.016±10% ohms@20°C	YEL	RED	BLK
LINE TO LINE INDUCTANCE	线电感	0.1±20% mH@1kHz	Feedback info		
NOMINAL VOLTAGE	额定电压	48 VDC	Feedback device:2500ppr incremental magnetic encoder		
NO LOAD SPEED	空载转速	3000±10% RPM	<p>PERMISSIBLE RADIAL+AXIAL FORCE</p>		
NO LOAD CURRENT	空载电流	8 A(ref)			
RATED TORQUE	额定转矩	14.3 N.m			
RATED SPEED	额定转速	2000 RPM			
RATED CURRENT	额定电流	79.3 A			
PEAK TORQUE	峰值转矩	42.9 mN.m			
PEAK CURRENT	峰值电流	237.9 A			
BACK EMF CONSTANT	反电势常数	12 Vrms/kRPM			
TORQUE CONSTANT	转矩常数	0.18 mN.m/A			
INSULATION CLASS	绝缘等级	B 130°C			
DIELECTRIC STRENG	介电强度	600VAC ISEC	DISTANCE	距离	a= / mm
INSULATION RESIST	绝缘电阻	100MOhm @500VDC	RADIAL-FORCE	径向压力	Fr= / N Max
ROTOR INERTIA	转子转动惯量	/g.cm <sup>2</sup>	SHAFT RADIAL PLAY	径向间隙	/mm Max.@4N
WEIGHT	重量	/Kg	SHAFT AXIAL PLAY	轴向间隙	/mm Max.@4N
OPERATION AMBIENT	使用环境	Ambient temperature:-20...+50°C, humidity Max.85%(No condensation)			
STORAGE AMBIENT	存储环境	Ambient temperature:-20...+85°C, humidity Max.85%(No condensation)			

REV	ECN NO.	DESCRIPTION	DESIGN	DATE	P/N.
					3.1.07.130.0018
				TITLE	
				130伺服电机	
				USED ON	
				FL130SV300-48V-20EA1	
				DWG NO.	
				REV	
				A	
				FULLING MOTOR	

UNLESS OTHERWISE SPECIFIED	MATERIAL	WEIGHT	CHECK
DECIMALS:			
.X ±0.5			
.XX ±0.25			
.XXX ±0.1			
ANGULAR:			
±0°30'			
UNIT: mm			
DO NOT SCALE DRAWING			
	FIRST ANGLE PROJECTION	SCALE	APPD
		1:4	