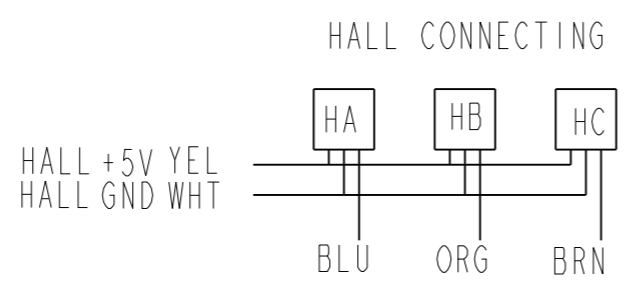
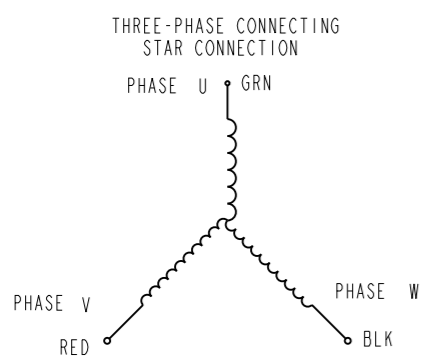
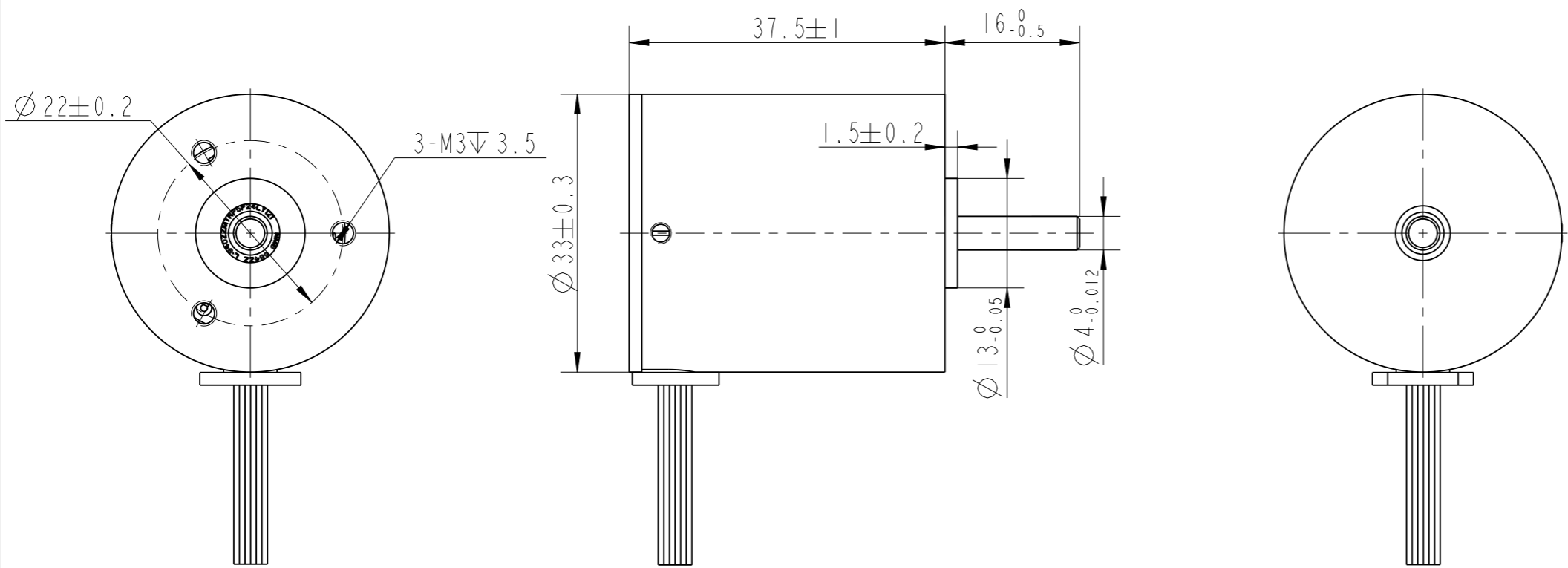
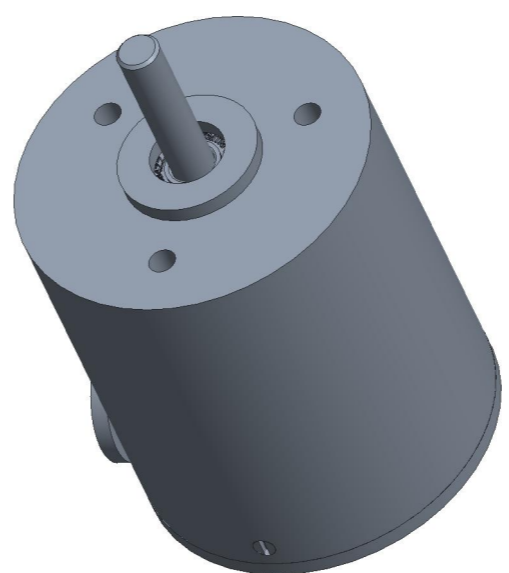
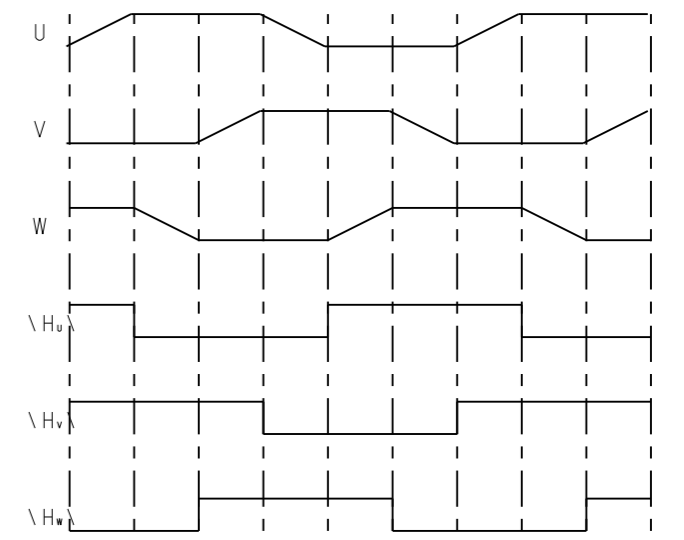


REV	ECN	NO	DESCRIPTION	DRN	APP'D	DATE



CW COMMUTATION VIEWED FROM OUTPUT SHAFT



NUMBER OF PHASE	绕组相数	3	Wires for Phases UL1007 AWG26		
NUMBER OF POLES	极数	4	PHASE U	PHASE V	PHASE W
LINE TO LINE RESISTANCE	线电阻	12.8 ±10% ohms@20°C	GRN	RED	BLK
LINE TO LINE INDUCTANCE	线电感	7.0 ±20% mH@1kHz	Wires for Hall UL1007 AWG26		
NOMINAL VOLTAGE	额定电压	24 VDC	HALL Vc	Hu	Hv
NO LOAD SPEED	空载转速	4500±10% RPM	YEL	BLU	ORG
NO LOAD CURRENT	空载电流	0.3 A	Hw	BRN	HALL Gnd
RATED TORQUE	额定转矩	22 mN.m	PERMISSIBLE RADIAL+AXIAL FORCE		
RATED SPEED	额定转速	3000 RPM			
RATED CURRENT	额定电流	0.5 A			
PEAK TORQUE	峰值扭矩	66 mN.m	AXIAL-FORCE 轴向压力 Fa=2 N Max		
PEAK CURRENT	峰值电流	1.5 A	DISTANCE 距离 a=10 mm		
BACK EMF CONSTANT	反电势常数	3.43 Vrms/kRPM	RADIAL-FORCE 径向压力 Fr=10 N Max		
TORQUE CONSTANT	转矩常数	46 mN.m/A	SHAFT RADIAL PLAY 径向间隙 0.02mm Max. @4N		
INSULATION CLASS	绝缘等级	B 130°C	SHAFT AXIAL PLAY 轴向间隙 0.14mm Max. @4N		
DIELECTRIC STRENGTH	介电强度	360VAC ISEC	OPERATION AMBIENT 使用环境 Ambient temperature: -20...+50°C, humidity Max.85%(No condensation)		
INSULATION RESIST	绝缘电阻	100MΩm @500VDC	STORAGE AMBIENT 存储环境 Ambient temperature: -10...+85°C, humidity Max.85%(No condensation)		
ROTOR INERTIA	转子转动惯量	7.95g.cm ²			
WEIGHT	重量	0.12Kg			

REV	ECN	NO.	DESCRIPTION	DESIGN	DATE	P/N.	TITLE
						3.1.02.033.0011	SPECIFICATIONS
UNLESS OTHERWISE SPECIFIED TOLERANCES:			MATERIAL	CONTR.	CHECK	USED ON	FL33BL38-24V-3007A
DECIMALS: .X ±0.5 .XX ±0.25 .XXX ±0.1			FIRST ANGLE PROJECTION		APPD	DWG NO.	REV A
ANGULAR: ±0°30'			SCALE 3:2		SHEET 1 OF 1		FULLING MOTOR
UNIT: mm DO NOT SCALE DRAWING							