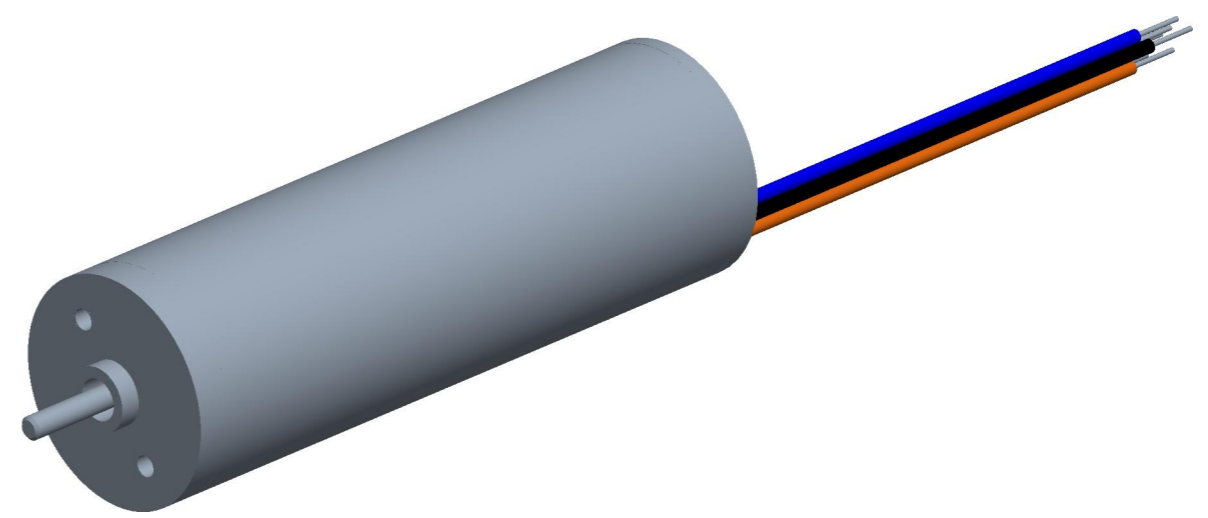
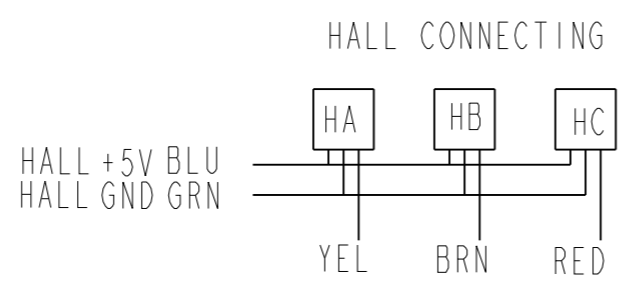
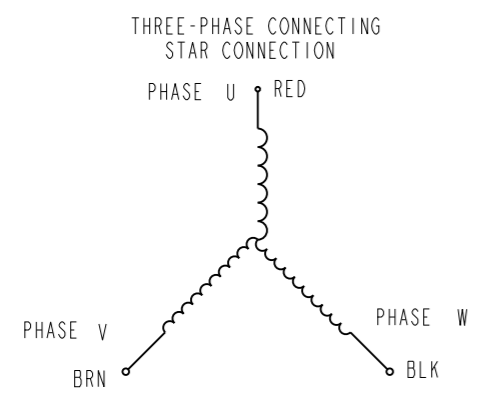
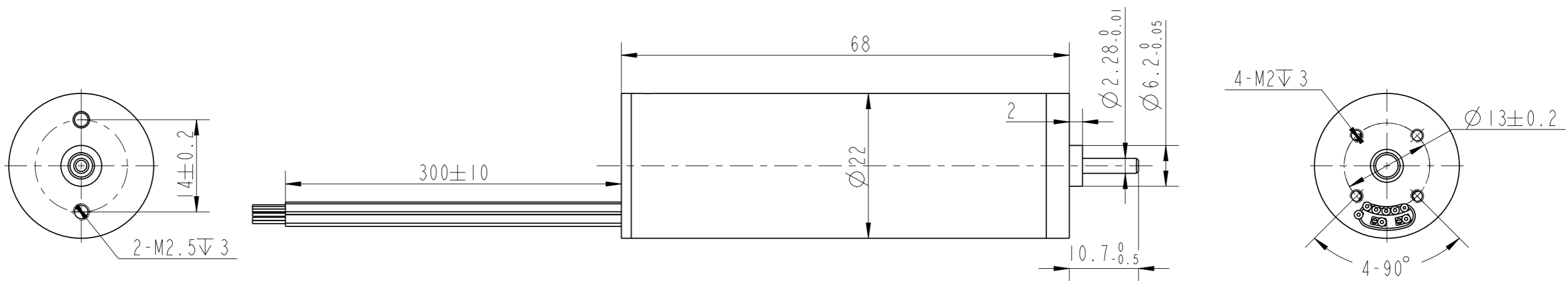


REV	ECN	NO	DESCRIPTION	DRN	APP'D	DATE



NUMBER OF PHASE	绕组相数	3	Wires for Phases UL1007 AWG26					
NUMBER OF POLES	极数	8	PHASE U	PHASE V	PHASE W			
LINE TO LINE RESISTANCE	线电阻	11.6±10% ohms@20°C	RED	BRN	BLK			
LINE TO LINE INDUCTANCE	线电感	4.3±20% mH@1kHz	Wires for Hall UL1007 AWG28					
NOMINAL VOLTAGE	额定电压	24 VDC	HALL Vc	Hu	Hv	Hw	HALL Gnd	
NO LOAD SPEED	空载转速	6000±10% RPM	BLU	YEL	BRN	RED	GRN	
NO LOAD CURRENT	空载电流	0.4 A	<p>PERMISSIBLE RADIAL+AXIAL FORCE</p>					
RATED TORQUE	额定转矩	20 mN.m						
RATED SPEED	额定转速	3800 RPM						
RATED CURRENT	额定电流	0.55 A						
PEAK TORQUE	峰值扭矩	60 mN.m						
PEAK CURRENT	峰值电流	1.6 A						
BACK EMF CONSTANT	反电势常数	2.65±10% Vrms/kRPM						
TORQUE CONSTANT	转矩常数	35.5±10% mN.m/A						
INSULATION CLASS	绝缘等级	B 130°C						
DIELECTRIC STRENG	介电强度	360VAC ISEC						AXIAL-FORCE
INSULATION RESIST	绝缘电阻	100MOhm @500VDC	DISTANCE	距离	a=10 mm			
ROTOR INERTIA	转子转动惯量	2.1g.cm²	RADIAL-FORCE	径向压力	Fr=10 N Max			
WEIGHT	重量	0.12Kg	SHAFT RADIAL PLAY	径向间隙	0.02mm Max. @4N			
OPERATION AMBIENT	使用环境	Ambient temperature:-20...+50°C, humidity Max.85%(No condensation)						
STORAGE AMBIENT	存储环境	Ambient temperature:-10...+85°C, humidity Max.85%(No condensation)						

REV	ECN	NO	DESCRIPTION	DESIGN	DATE	P/N.	TITLE
A						3.1.02.022.0003	SPECIFICATIONS
UNLESS OTHERWISE SPECIFIED TOLERANCES:			MATERIAL	CONTR.	CHECK	USED ON	FL22RBL70-24V-3515A
DECIMALS: .X ±0.5 .XX ±0.25 .XXX ±0.1			FIRST ANGLE PROJECTION		APPD	DWG NO.	REV A
ANGULAR: ±0°30'			DO NOT SCALE DRAWING		SCALE 3:2	FULLING MOTOR	
UNIT: mm					SHEET 1 OF 1		