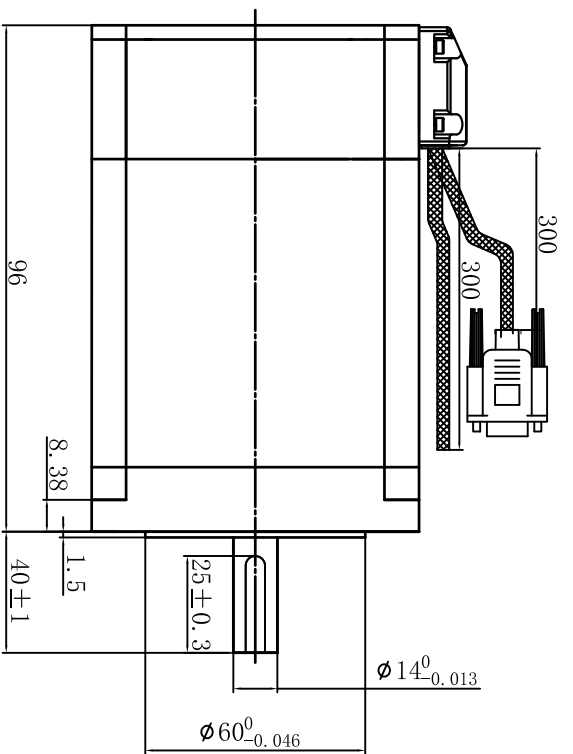
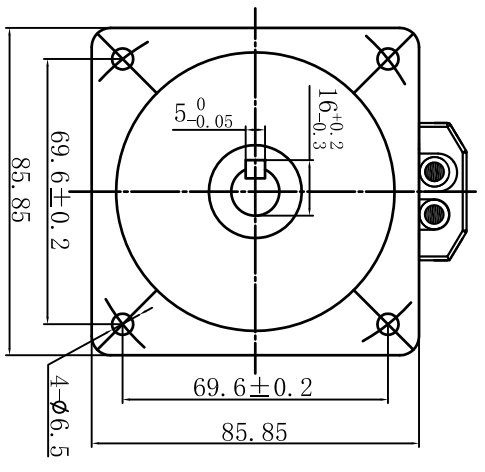


REV	ICN NO.	DESCRIPTION	DRN	APP'D	DATE



Exciting Sequence (励磁顺序)

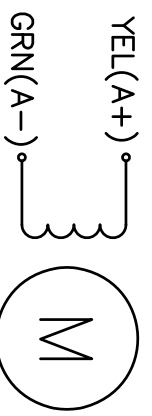
CCW DIRECTION	STEP	A	A-	B	B-
↑	1	+	+	+	+
	2	+	+	+	+
	3	+	+	+	+
	4	+	+	+	+

CCW, see from flange side
(逆时针, 从法兰侧看)

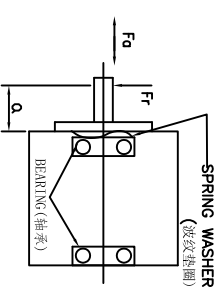
P1 焊点图

三排 5P 公头	芯线颜色	信号定义
3	红白	GND
2	红	VCC(5V)
13	蓝	EA-
1	蓝黑	EA+
12	黑	EB-
11	黑白	EB+
	外壳	编织

Wiring Diagram: Encoder: 1000cpr



YGF-S 4*0.75 Cable



PERMISSIBLE RADIAL+AXIAL FORCE
(允许的轴上和轴向力)

STEP ANGLE	步距角	1.8°/full step (微步)
STEP ANGLE ACCURACY	步距角精度	±5%
NUMBER OF PHASE	绕组相数	2
RATED VOLTAGE	额定电压	2.4VDC
RATED CURRENT	额定电流	6A
RESISTANCE/PHASE	每相电阻	0.4±10% ohms@20°C
INDUCTANCE/PHASE	每相电感	3±20% mH@1kHz
HOLDING TORQUE	保持转矩	4.5N.m
PULL OUT TORQUE	运行转矩	
BACK EMF	反电动势	
DETENT TORQUE	定位转矩	
ROTOR INERTIA	转子转动惯量	1400g.cm ²
WEIGHT	重量	2.5Kg
TEMPERATURE RISE	温升	Less than 80K (小于80开)
SOURCE VOLTAGE	驱动器电压	VDC
INSULATION CLASS	绝缘等级	B 130°C
DIELECTRIC STRENGTH	介电强度	900VAC/1S
INSULATION RESISTANCE	绝缘电阻	100MΩhm @500VDC
IP CODE	防护等级	IP30
OPERATION AMBIENT	使用环境	Ambient temperature:-20...+40°C,humidity Max. 85%(No condensation)
STORAGE AMBIENT	存储环境	Ambient temperature:-20...+60°C,humidity Max. 85%(No condensation)

UNLESS OTHERWISE SPECIFIED	MATERIAL	CONTR.	CHECK	DESIGN	DATE	P/N
TOLERANCES:						
DECIMALS:						
ANGULAR:						
±0.5						
±0.25						
±0.1						
UNIT: mm						
DO NOT SCALE DRAWING						

AXIAL-FORCE	轴向压力	Fa=36 N Max.
DISTANCE	距离	q=20 mm
RADIAL-FORCE	径向压力	Fr=130 N Max.
SHAFT RADIAL PLAY	径向间隙	0.02mm Max. ●4N
SHAFT AXIAL PLAY	轴向间隙	0.08mm Max. ●4N
TITLE	Specifications	
USED ON	FL86SC40	
DWG NO.		
REV	A	
PULLING MOTOR		