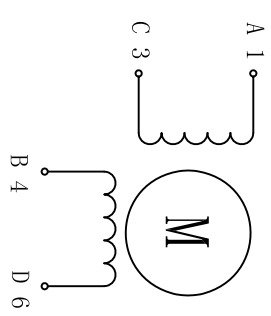


| REV | ECN NO. | DESCRIPTION | DRN | APP'D | DATE |
|-----|---------|-------------|-----|-------|------|
| | | | | | |
| | | | | | |

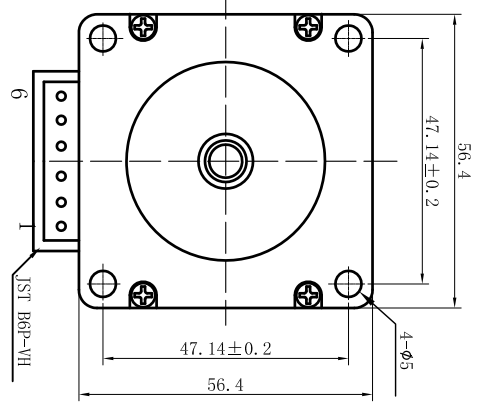
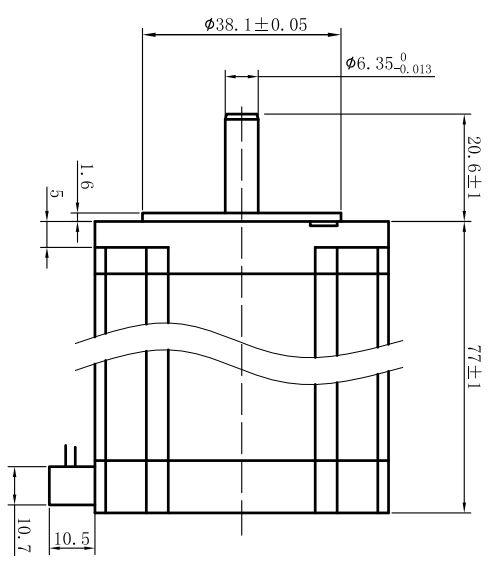
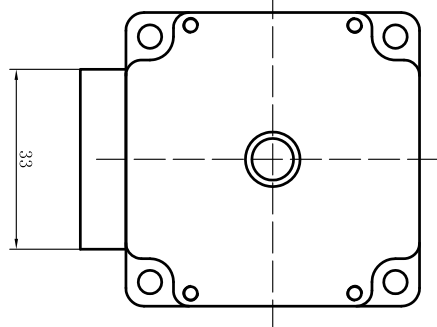
WIRING DIAGRAM/接线图



Exciting Sequence (励磁顺序)

| CW DIRECTION | STEP | A | C | B | D |
|--------------|------|---|---|---|---|
| ↑ | 1 | + | | + | |
| | 2 | | + | | + |
| | 3 | | | + | + |
| | 4 | + | | | + |

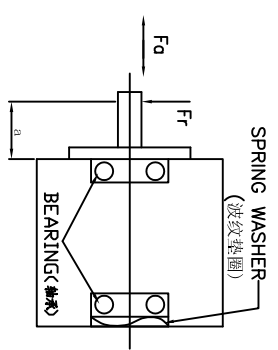
CW, see from flange side
(顺时针, 从法兰侧看)



SPECIFICATION

| | | |
|-----------------------|--------|--|
| STEP ANGLE | 步距角 | 1.8°/full step(步距) |
| STEP ANGLE ACCURACY | 步距角精度 | ±5% |
| NUMBER OF PHASE | 绕组相数 | 2 |
| RATED VOLTAGE | 额定电压 | 3.6 VDC |
| RATED CURRENT | 额定电流 | 2.8 A |
| RESISTANCE/PHASE | 每相电阻 | 1.3±10% ohms@20°C |
| INDUCTANCE/PHASE | 每相电感 | 5.3±20% mH@1kHz |
| HOLDING TORQUE | 保持转矩 | 2.3 N.m |
| PULL OUT TORQUE | 运行转矩 | N/A |
| BACK EMF | 反电动势 | V @300RPM |
| DETENT TORQUE | 定位转矩 | N.cm |
| ROTOR INERTIA | 转子转动惯量 | 480 g.cm ² |
| WEIGHT | 重量 | 1.1 Kg |
| TEMPERATURE RISE | 温升 | Less than 80K(ΔT@80%) |
| SOURCE VOLTAGE | 驱动器电压 | N/A |
| INSULATION CLASS | 绝缘等级 | B 130°C |
| DIELECTRIC STRENGTH | 介电强度 | 500VAC 1MIN |
| INSULATION RESISTANCE | 绝缘电阻 | 100MΩhm @500VDC |
| IP CODE | 防护等级 | N/A |
| OPERATION AMBIENT | 使用环境 | Ambient temperature:-20...+50°C,humidity Max. 85%(No condensation) |
| STORAGE AMBIENT | 存储环境 | Ambient temperature:-20...+85°C,humidity Max. 85%(No condensation) |

PERMISSIBLE RADIAL+AXIAL FORCE
(允许轴向外力和轴向力)



AXIAL-FORCE 轴向压力 Ft=15 N Max.
DISTANCE 距离 q=20 mm
RADIAL-FORCE 径向压力 Fr=75 N Max.

| | | | | | | | | |
|----------------------------|---------|------------------------|--------|-------|-------|--------------------------|------|-----------------|
| REV | ECN NO. | DESCRIPTION | DRN | APP'D | DATE | DESIGN | DATE | P/N |
| | | | | | | | | 3.1.01.057.XXXX |
| UNLESS OTHERWISE SPECIFIED | | MATERIAL | CONTR. | | CHECK | TITLE Specifications | | |
| TOLERANCES | | | | | | USED ON FL57STC76-2804AC | | |
| DECIMALS: | | | | | | DWG NO. | | |
| .x ±0.5 | | | | | | REV A | | |
| .xx ±0.25 | | | | | | | | |
| .xxx ±0.1 | | | | | | | | |
| UNIT: mm | | FIRST ANGLE PROJECTION | | | SCALE | PULLING MOTOR | | |
| DO NOT SCALE DRAWING | | | | | SHEET | | | |